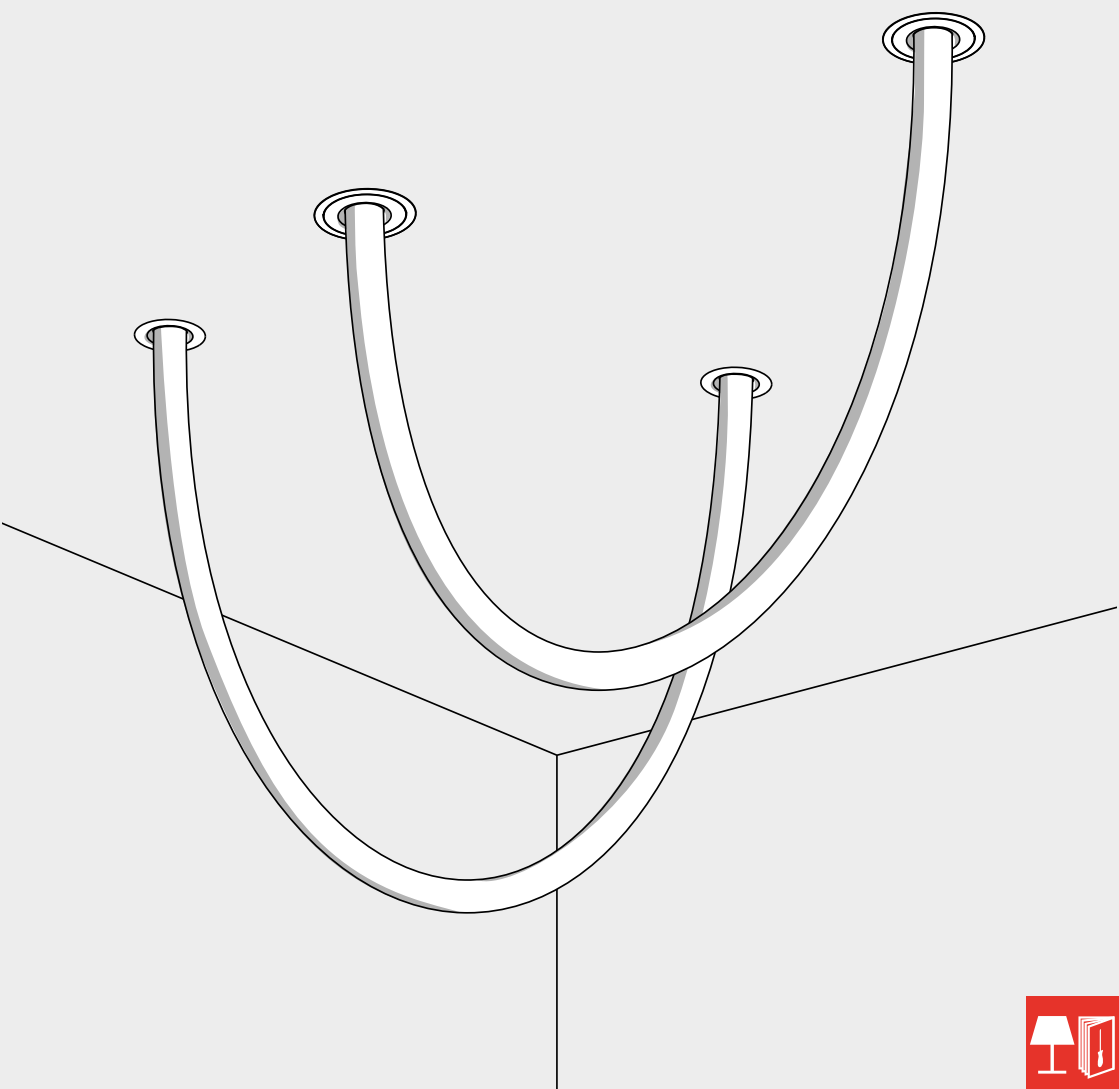


Artemide®

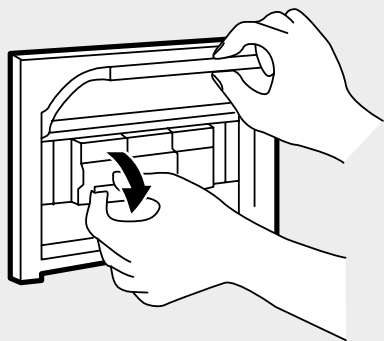
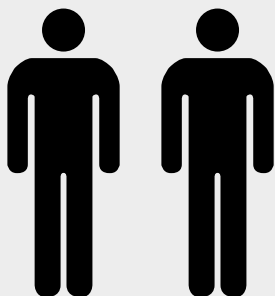
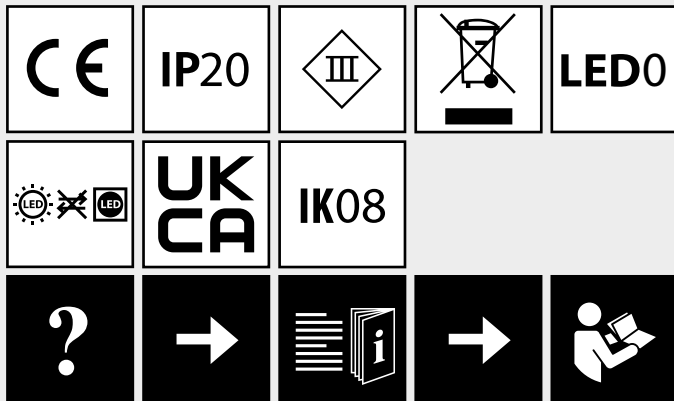
LA LINEA RECESSED

design
BIG



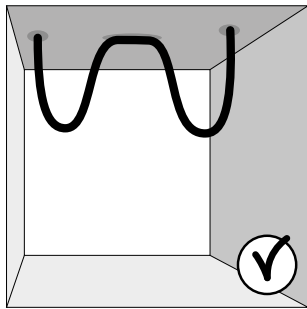
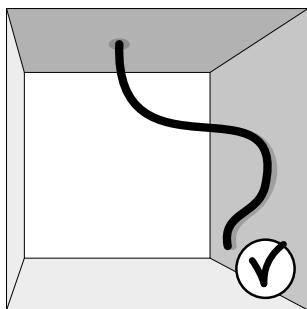
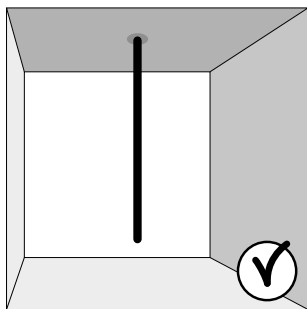
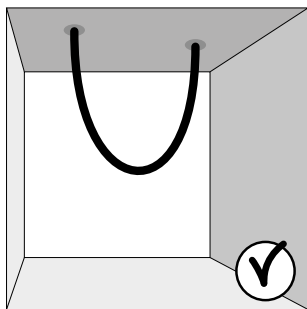


i

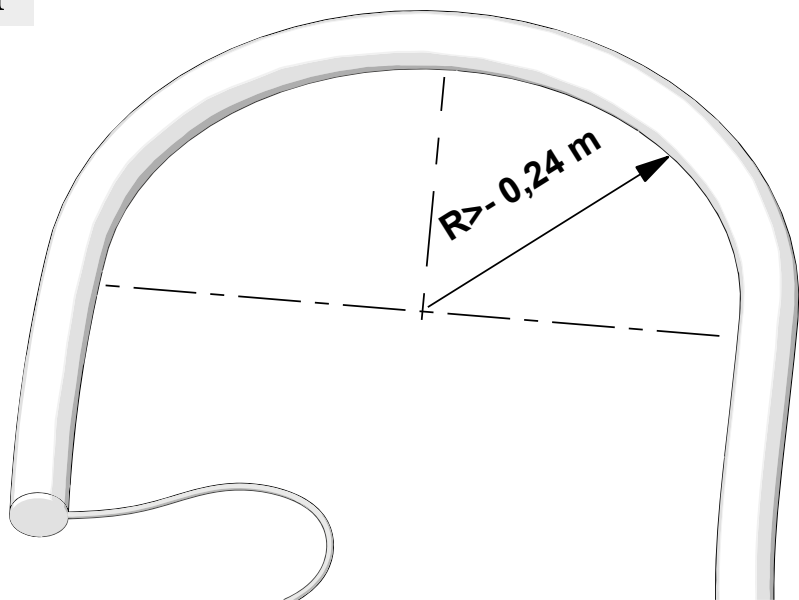




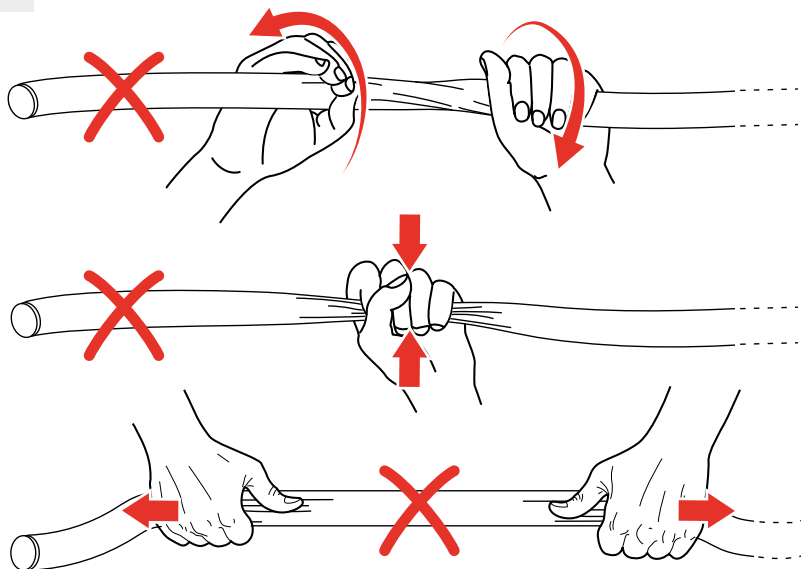
i



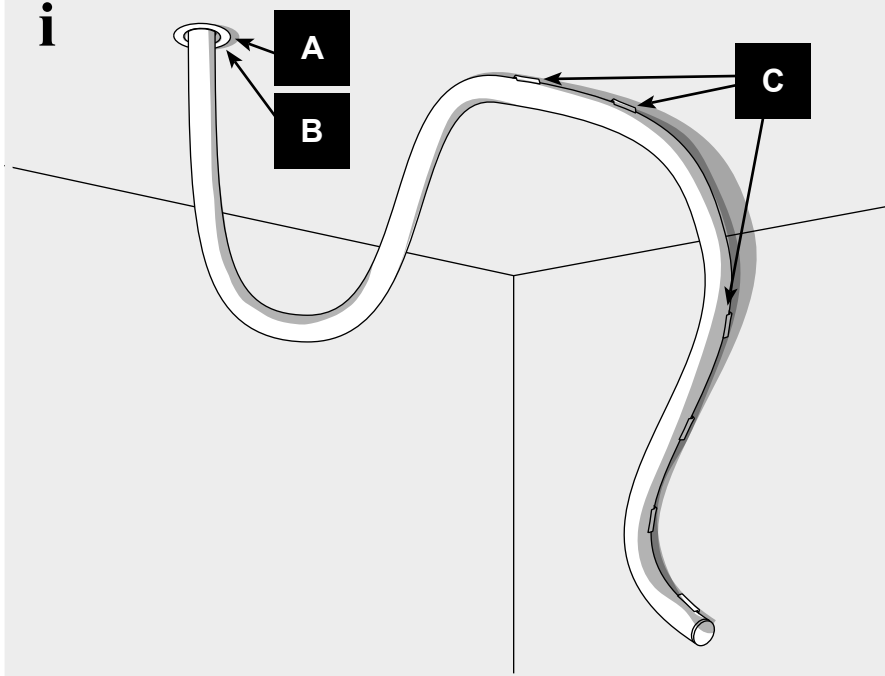
i



i



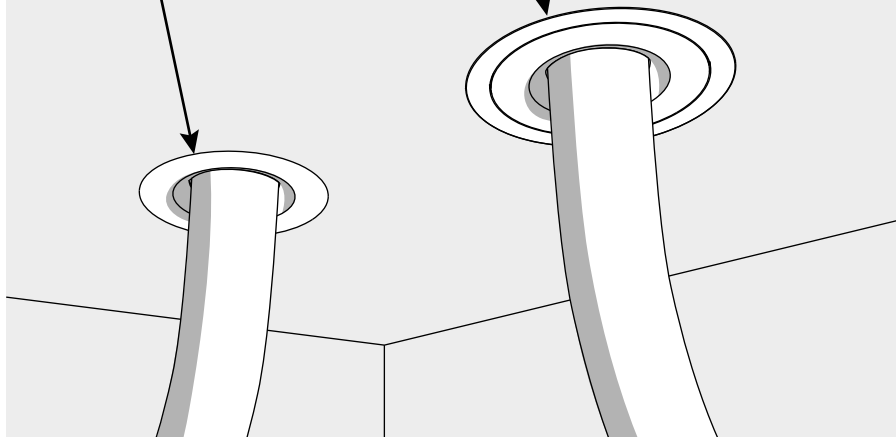
i



i

A LA LINEA
KIT RECESSED
TRIMLESS

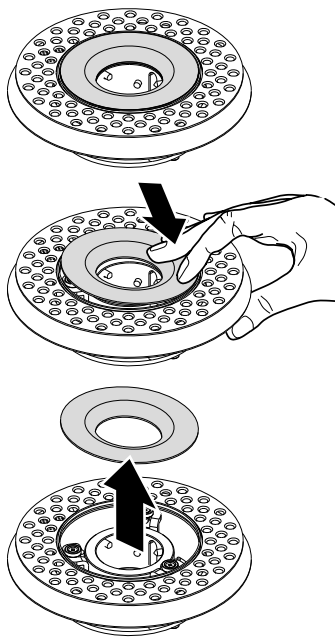
B LA LINEA
KIT RECESSED
TRIM



1

A

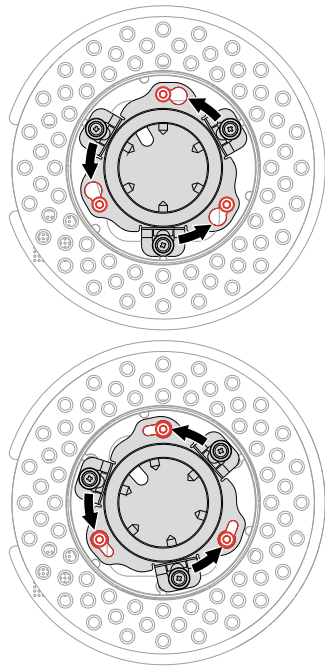
B



2

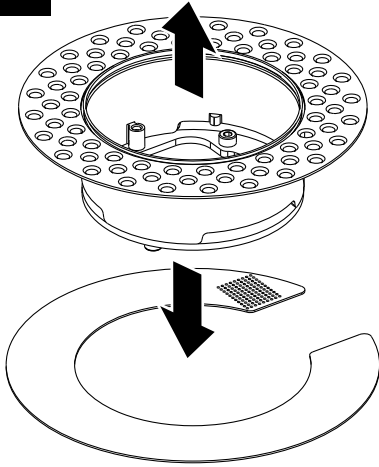
A

B

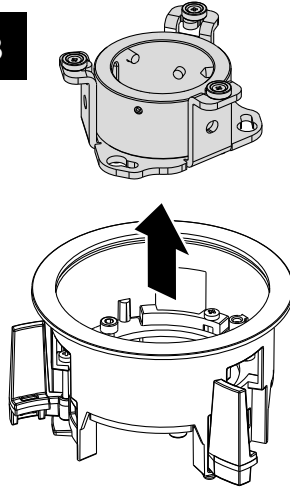


3

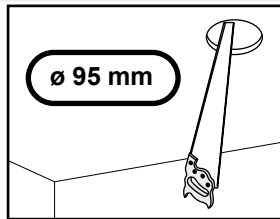
A



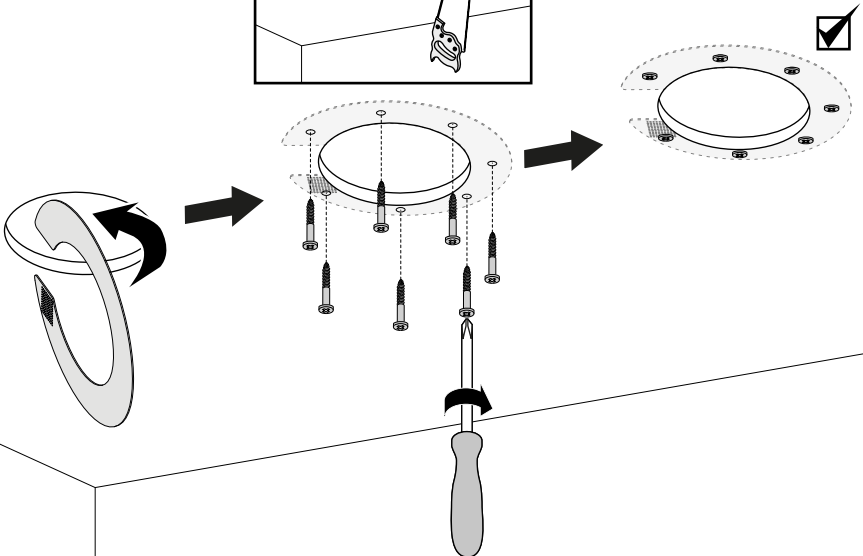
B



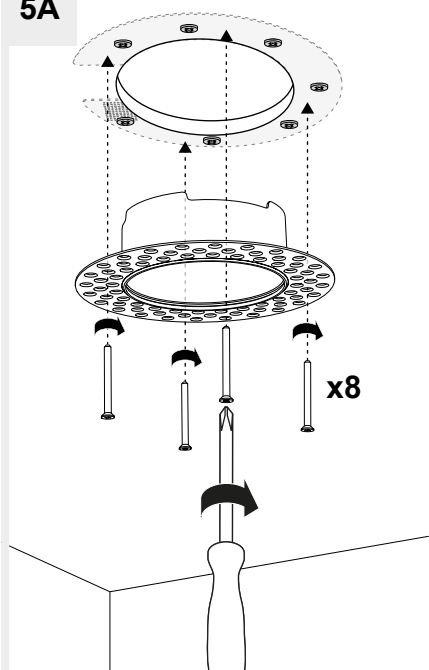
4A



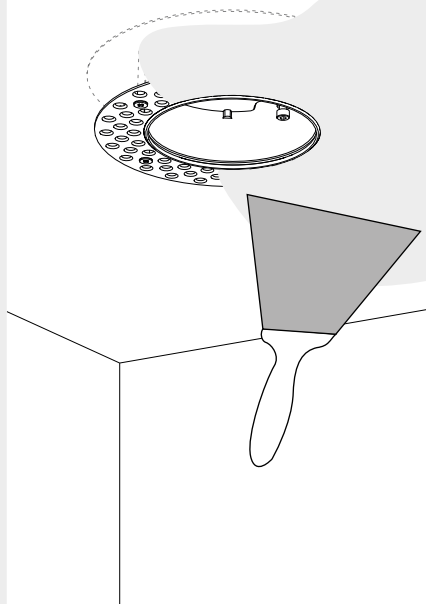
A



5A

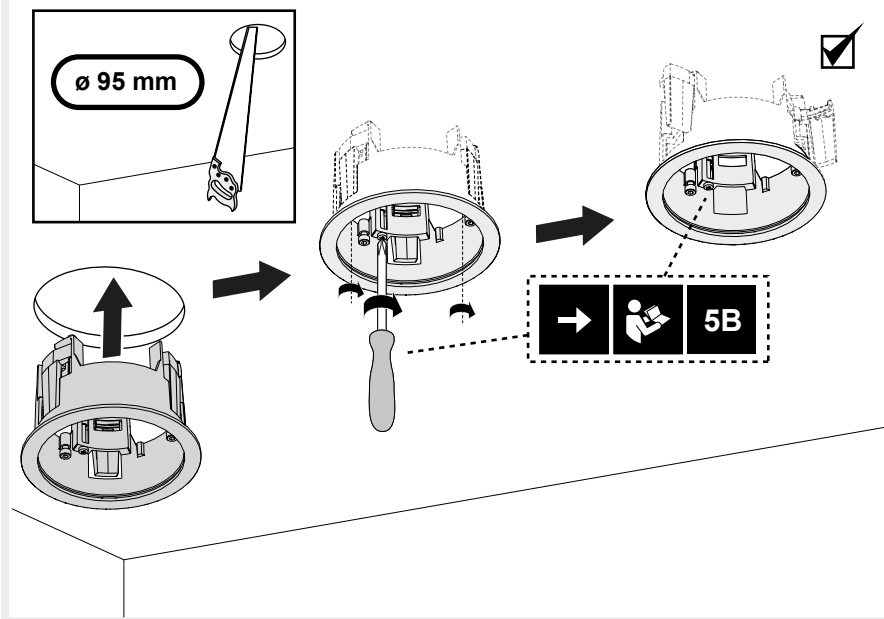


6A

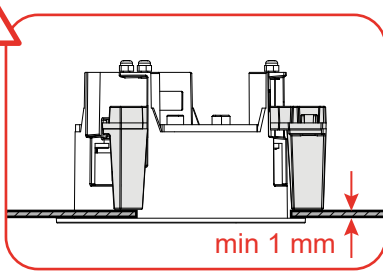
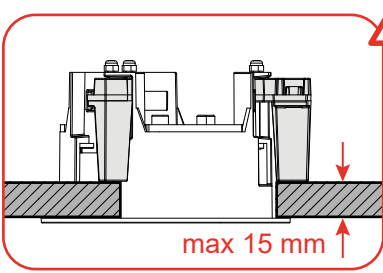
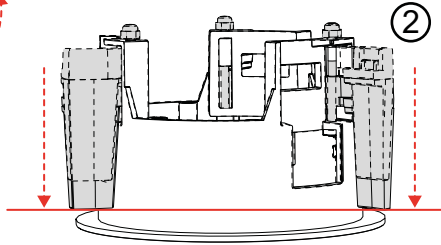
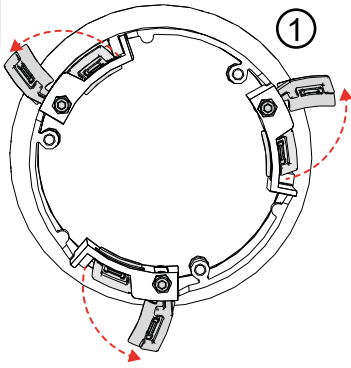


B

4B



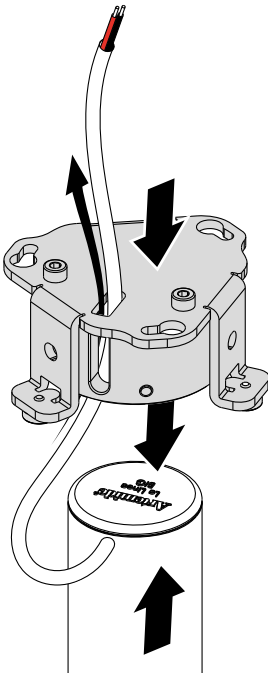
5B



7

A

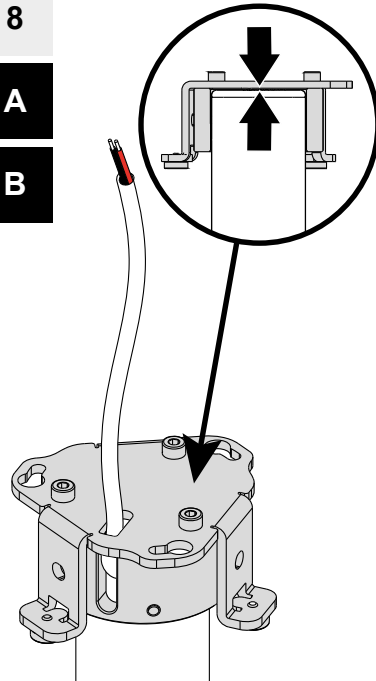
B



8

A

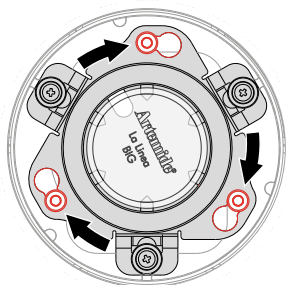
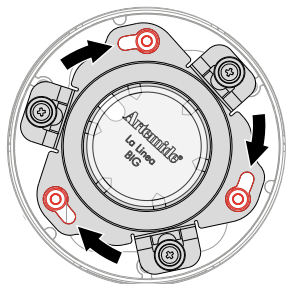
B



11

A

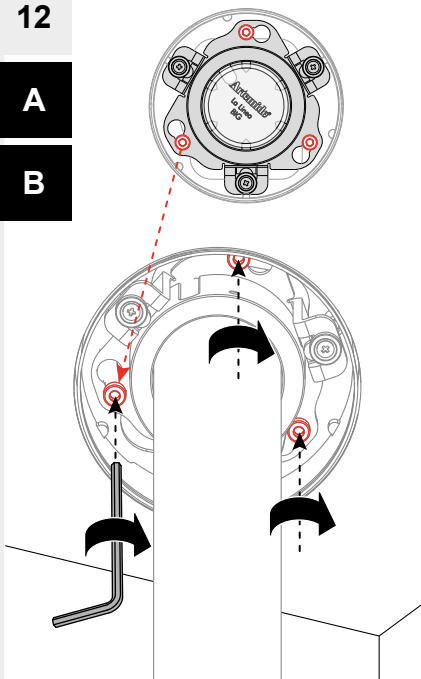
B



12

A

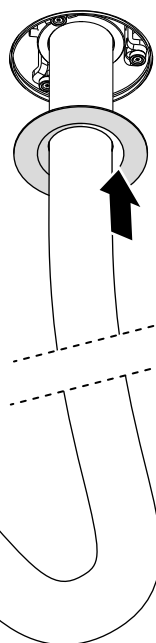
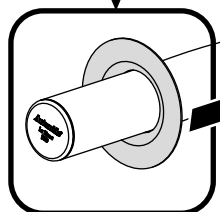
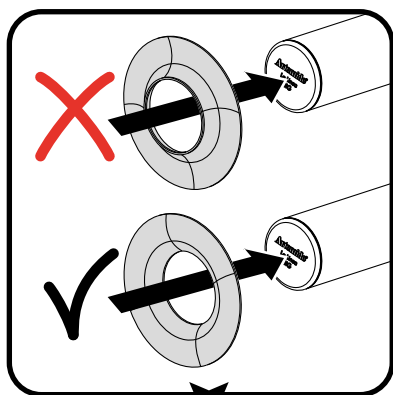
B



13

A

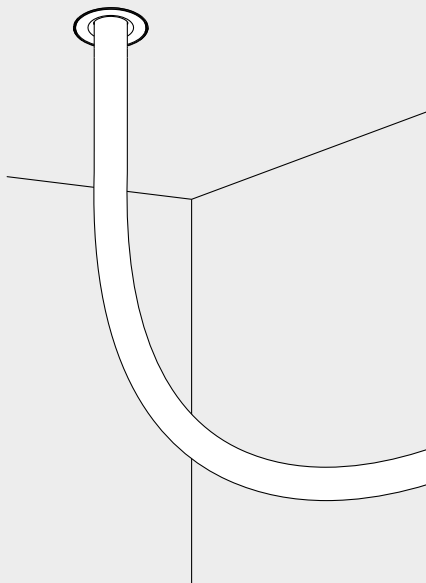
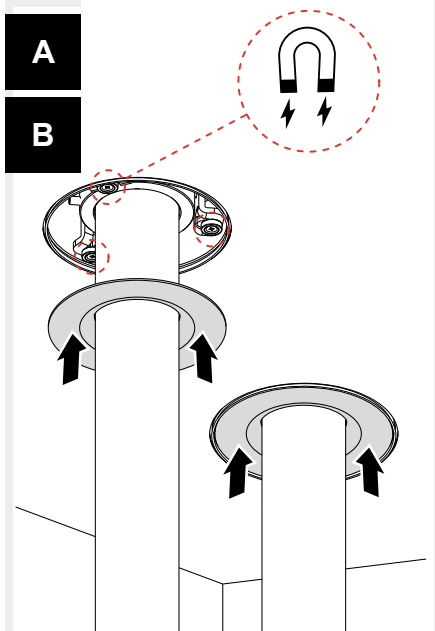
B



14

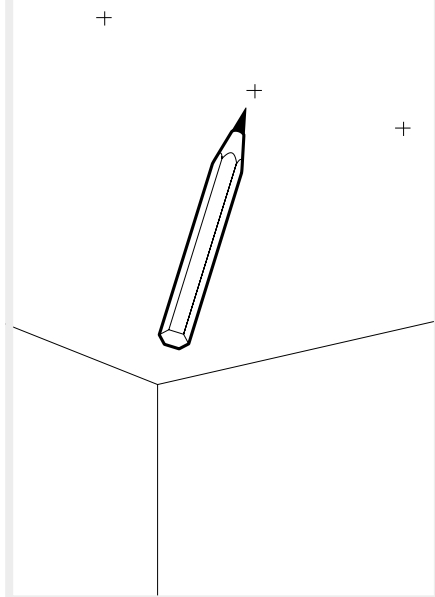
A

B

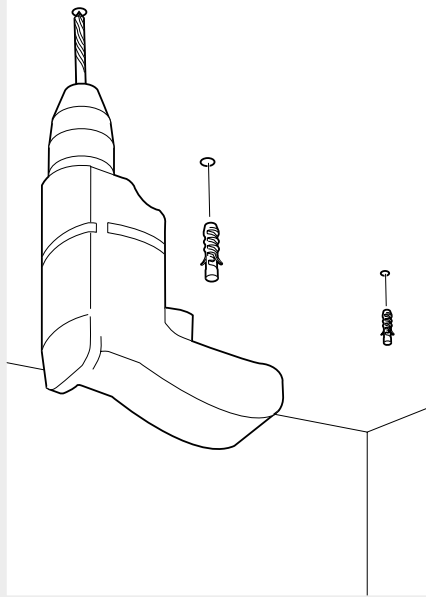


C

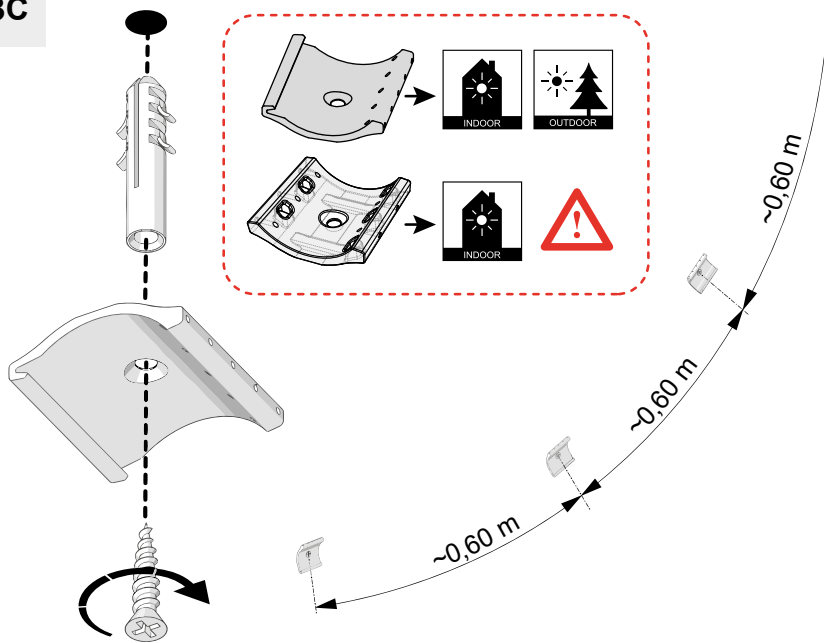
1C



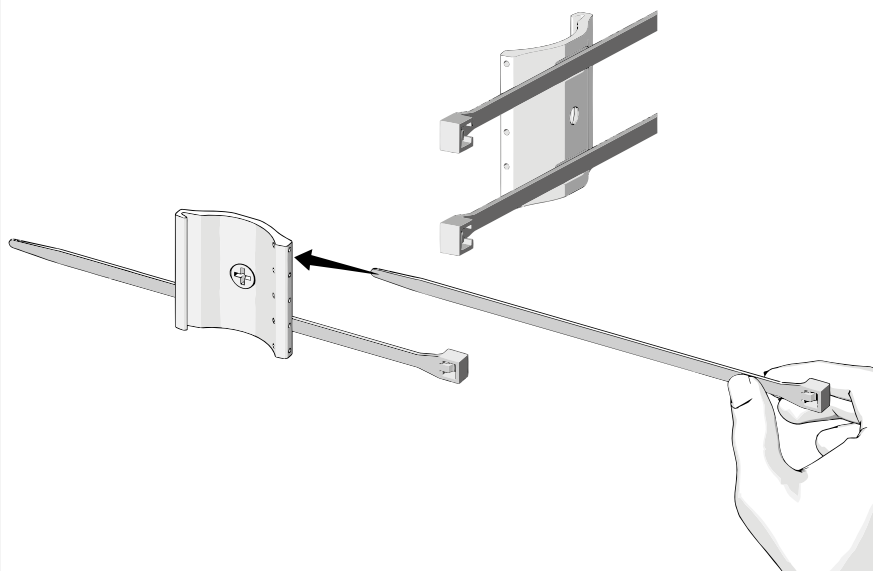
2C



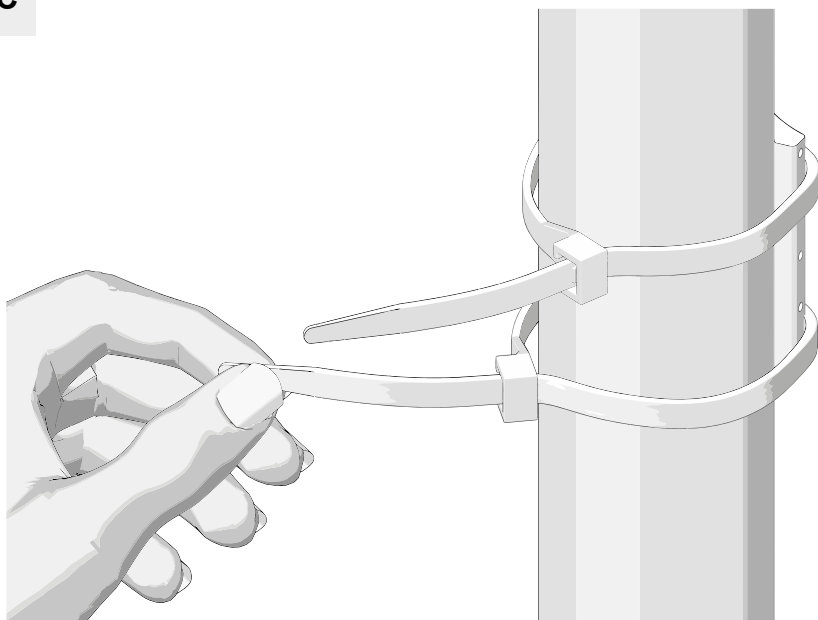
3C



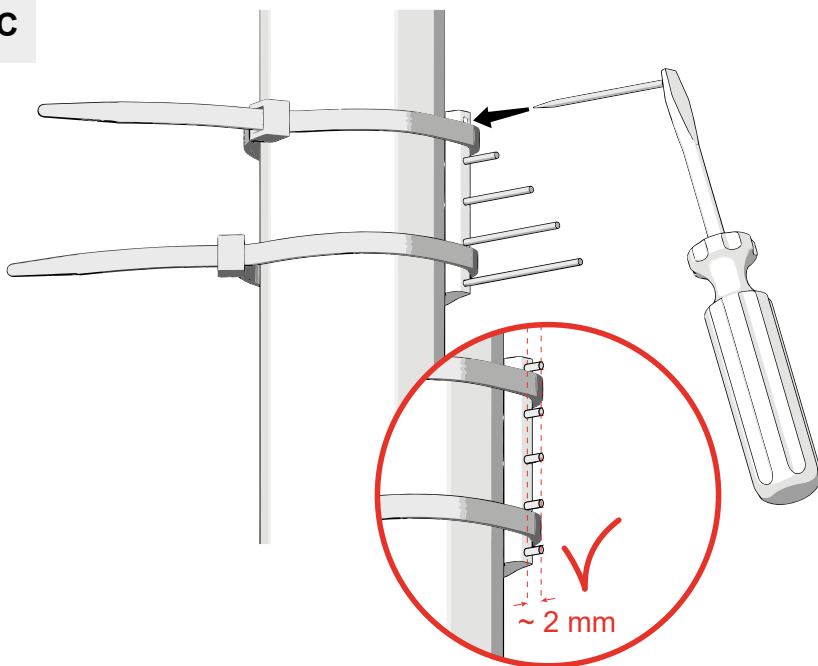
4C



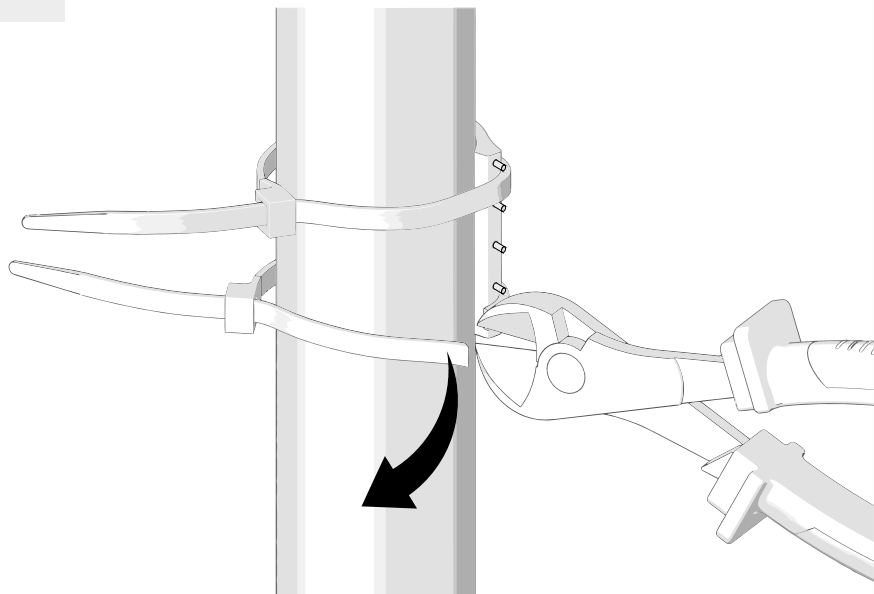
5C



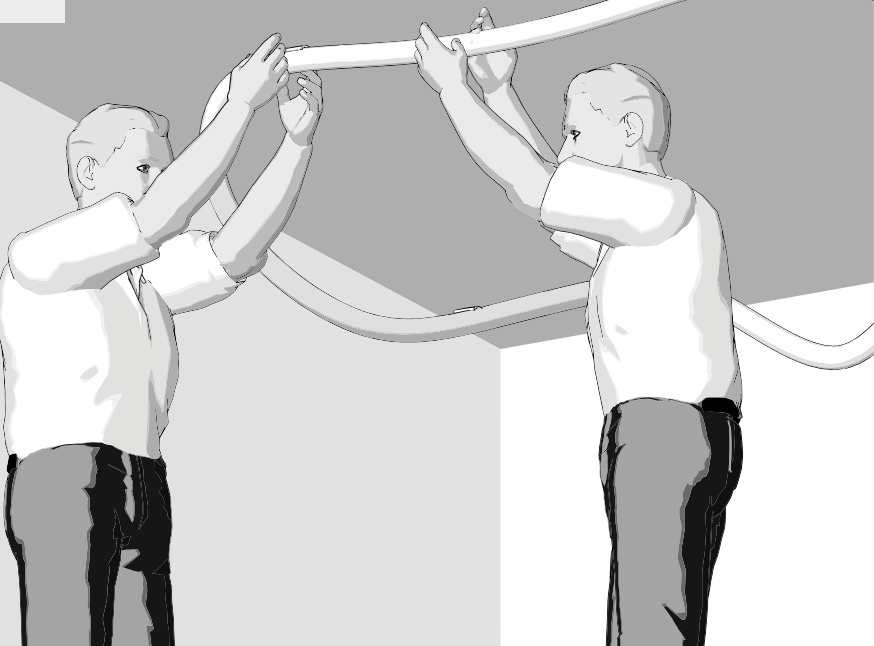
6C



7C

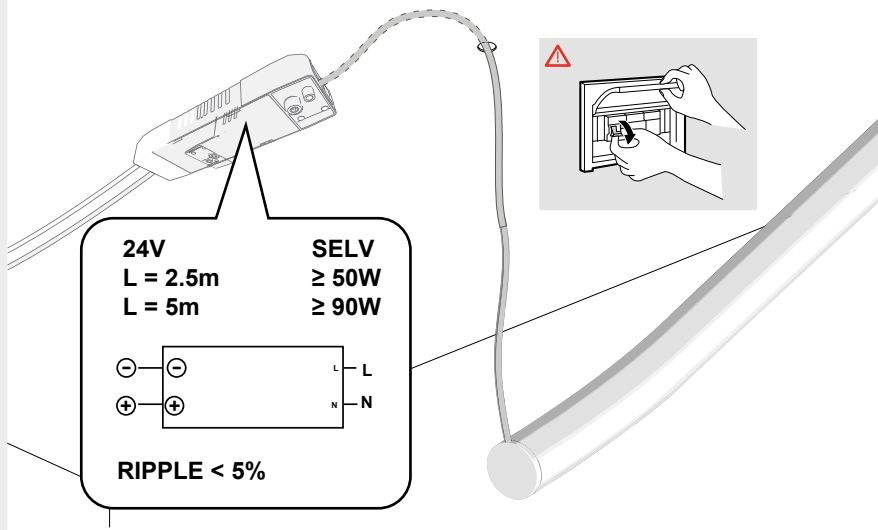


8C

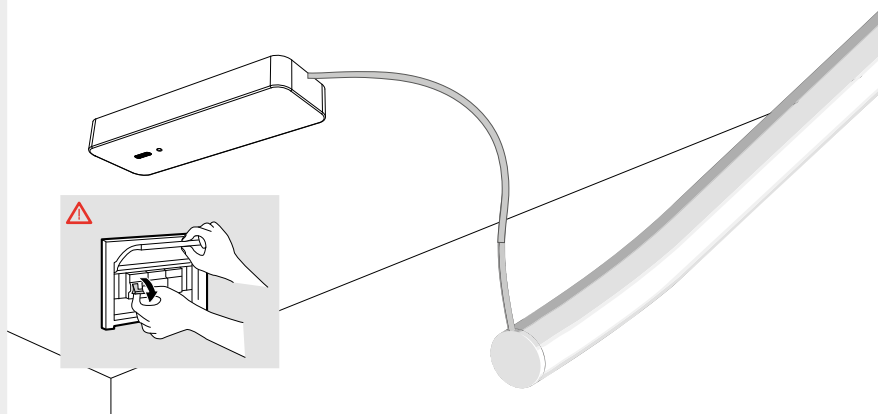


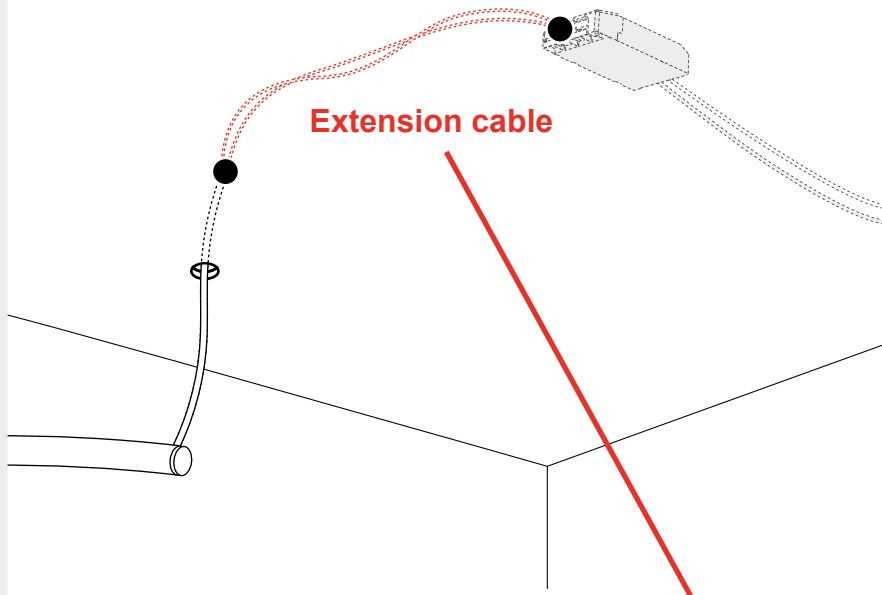
i

RECESSED BARE KIT				
La Linea 40		IP20	IP65	Instruction Sheet
2.5m / 5m	ND	DV1033	x	Y513001031
	1-10	x	DV1075	Y513001349
	APP+Push	DV1075APP	x	Y513001417
	DALI	x	DV1076	Y513001418

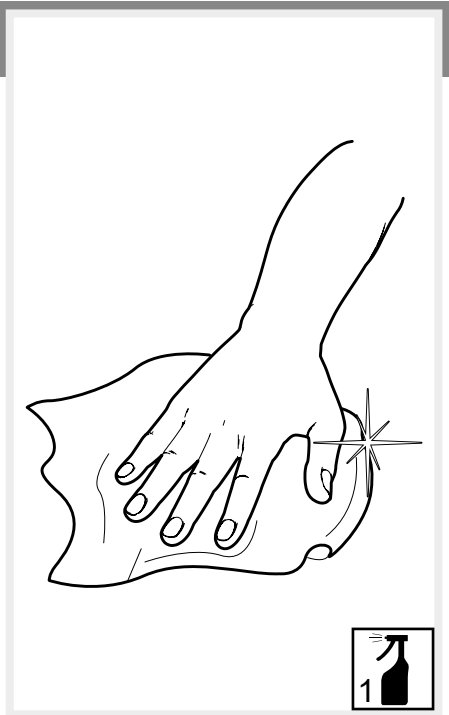
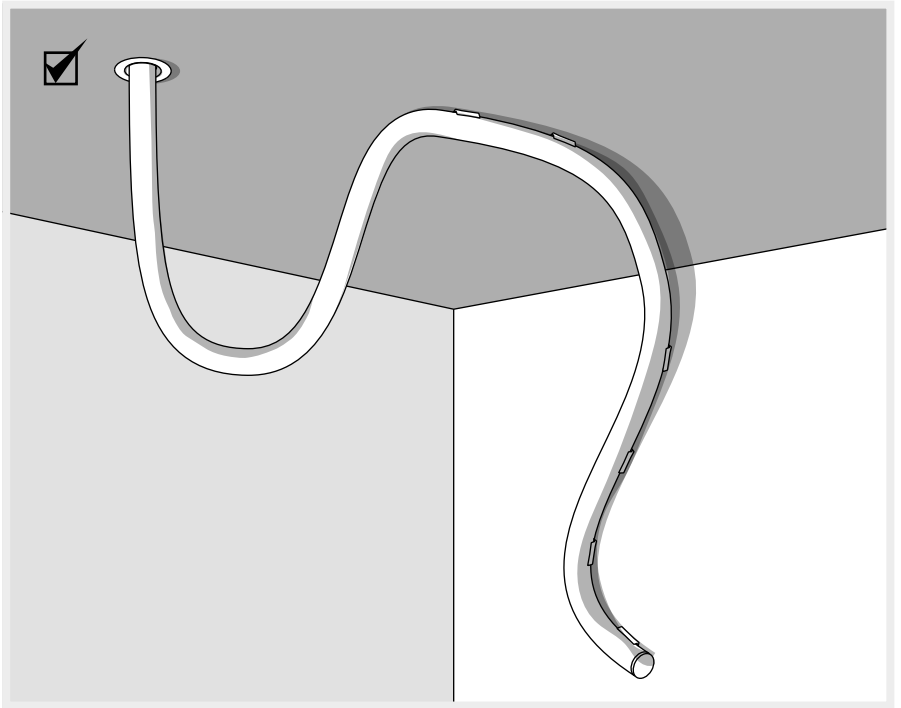
**i**

SMD POWER KIT			
	IP20	IP65	Instruction Sheet
ND	A4681210	x	Y513001413
1-10 + DALI + PUSH	A4681010	x	Y513001357
APP+Push	A4681010APP	x	Y513001414
APP+Push		T4681010APP	Y513001356

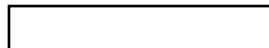


i**i**

Power supply voltage (Vdc)	Appliance	Power [W]	Appliance's cable cross section [mmq]	Appliance's cable length [m]	Extension cable's cross section [mmq]	Max extension cable's length [m]
24V	La Linea 40 2,5 mt	37,5	0,52	2	1	13
					1,5	20
					2,5	35
					4	55
	La Linea 40 5 mt	75	0,52	2	1	6
					1,5	10
					2,5	17
					4	27



Artemide®



Artemide

via Bergamo, 18
20006 Pregnana M.se (MI)
ITALIA

tel. +39 02 935 181
fax +39 02 935 90 254
fax +39 02 935 90 496

www.artemide.com

VAT IT00846890150

cod. Y513001747A